

4. Pressure vessel sight glass Fitting

Application:

Weld-on low pressure sightglass fittings for observing the internals of tanks, pressure vessels, silos, gear-trains, separators and pipelines etc.

General:

low pressure sightglasses are similar to the DIN28-120 series and are suitable for welding into or onto vessel walls.

Operating Conditions:

Rated for pressures up to 5 bar depending on size.

Temperature rating up to 900°C depending on seal and glass selection.



Item Part

1 Base Flange: (welding flange) Stainless steel 316L or 304L, carbon steel.

2 Gaskets: NAF, PTFE, Viton, food quality Silicone rubber or micaceous material for high temperature applications.

3 Sight glass disc: Toughened Soda Lime (up to 150 ° C) to DIN8902 or BS3463, toughened Borosilicate (up to 280 ° C) to DIN7080 or Quartz (up to 900 ° C).

4 Cover flange: Stainless steel 316L or 304L carbon steel.

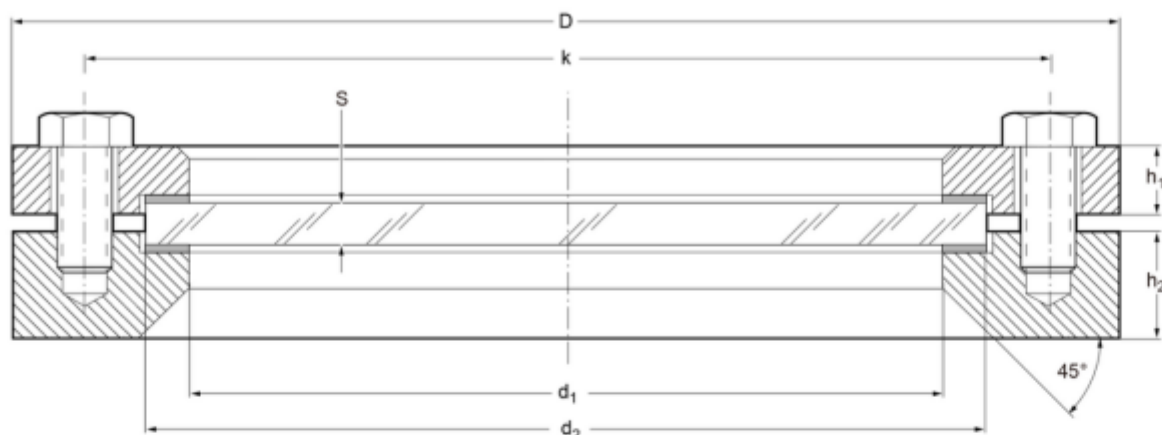
5 Securing bolts: Stainless steel A2 grade or carbon steel.

Other materials are available upon request.

The Sight glass can add with wipper, lamp , can be with welding neck.

Other types see to our sight glass catalog.

Installation: welding the base flange (1) into the vessel wall, Place gaskets (2), sight glass disc (3) and cover flange carefully. Then the bolts (5) are progressively tightened, cross tight the bolt several times.



Size		1	2	3	4	5	6	7	8	9	10
Pressure rating	bar	5	5	5	5	5	5	4	4	3	3
Viewing diameter	d1	50	80	100	125	150	175	200	225	250	300
Sight glass disc	d2	60	89	114	150	175	200	225	250	275	325
	S (TSL)	10	12	12	15	15	15	15	19	19	19
	S (TBS)	10	12	12	20	20	25	25	20	20	30
Flanges	D	100	150	177	202	228	254	280	304	345	405
	h1	16	16	16	16	16	16	16	19	19	19
	h2	25	25	25	25	25	25	25	30	30	30
Bolts	K	78	127	152	178	204	229	256	280	304	366
	No.	4	4	4	8	8	8	8	8	8	8
	Size	M12	M12	M12	M12	M12	M12	M12	M12	M12	M12
	Length	30	30	30	35	35/45	35/45	35/45	40/45	40/45	45/55

Dimensions for Visilume Standard Sightglass Fitting with Wiper Assembly

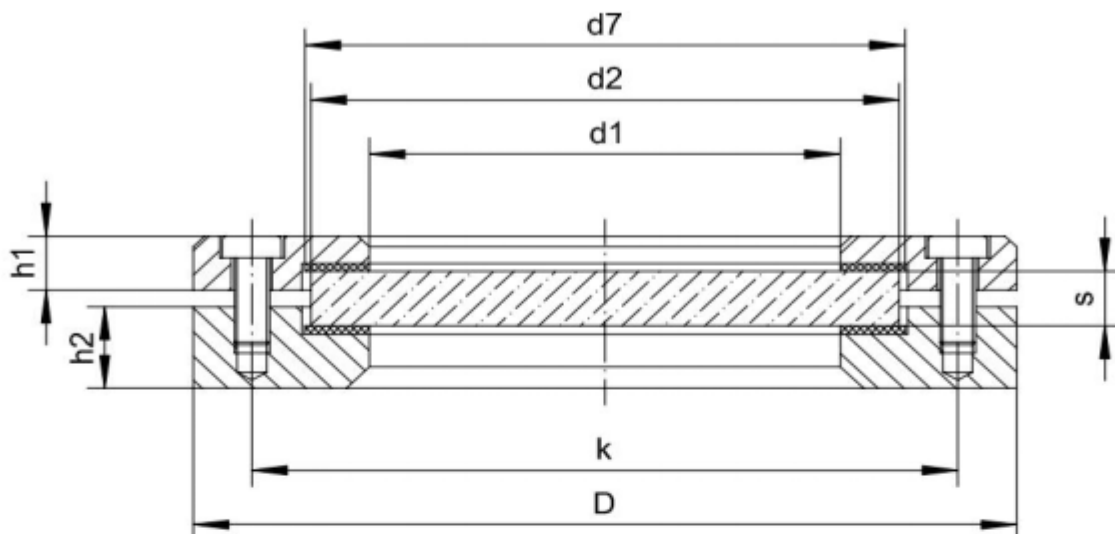
Size		1	2	3	4	5	6	7	8	9	10
Pressure rating	bar	N/A	5	5	5	5	5	3	3	2	2
Viewing Diameter	d1	50	80	100	125	150	175	200	225	250	300
Sight glass disc	d2	N/A	89	114	150	175	200	225	250	275	325
	S (TSL)	N/A	12	12	15	15	15	15	15	15	15
	S (TBS)	N/A	12	12	15	20	20	15	15	20	15

Ordering Information

Please specify the selected items as follows:

Fittings: Viewing diameter

Material: Base (welding) flange, bolts, cover flange, glass disc, gaskets.

Vessel Sight Glass fitting for open tank

Dimensions

Size		1	2	3	4	5	6	7
Nominal bore	DN	50	80	100	125	150	200	300
Viewing diameter	d1	80	100	125	150	175	225	300
Sight glass disc	d2	100	125	150	175	200	250	325
	s	10	10	10	10	10	10	15
Flanges	D	140	165	190	215	240	290	370
	k	120	145	170	195	220	270	345
	h1	10	10	10	10	10	10	15
	h2	15	15	15	15	15	15	20
Fastening bolts	no.	4	8	8	8	8	8	12
	Size	M 6	M 6	M 6	M 6	M 6	M 6	M 8
Gaskets (side with product contact and atmospheric side)	d1	80	100	125	150	175	225	300
	d7	102	127	152	177	202	252	327

Order data:

- Xukang sight glass fitting (DIN) and construction
- Nominal diameter (DN) / nominal pressure (PN)
- Material: bolts glass disc gaskets