

UL-BFR

series

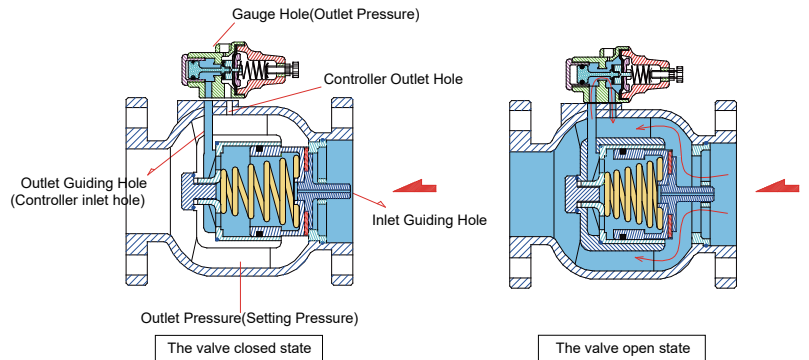
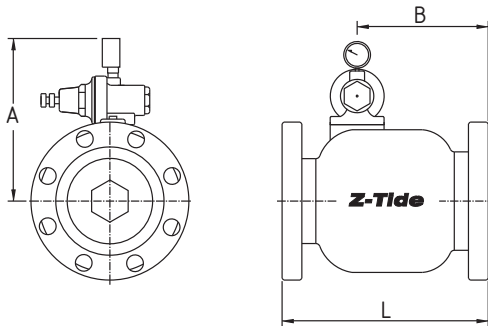
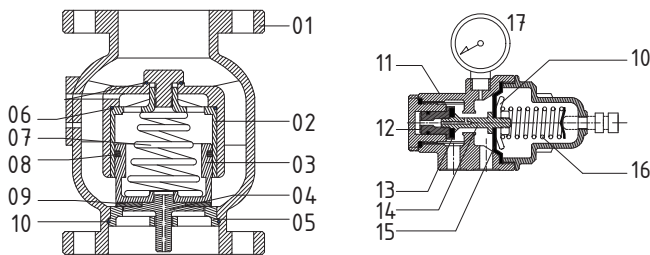


UL PRESSURE REDUCING VALVE

- Applicative units for: Hose station Feeds, Sprinkler systems, Deluge system, Foam system, Fire hydrant water supply.
- Size: 3"(DN75) to 8"(DN200)
- Working Pressure:
 - Class#300 = 300 PSI (21BAR)
 - Class#150 = 250 PSI (17BAR)
- Adjust Range: 30~100 PSI (2 - 7 BAR)
- Test Pressure: 600/500 PSI
- Working Temp.: 0°C to 80°C (32°F to 176°F)
- Valve Standard: Original Design
- Connection Standard:
 - ANSI150 /ANSI 300 /PN16 /PN25 /JIS10K /JIS20K
- Test Standard: UL 1739



UL-BFR



ITEM	PARTS	MATERIAL
1	MAIN BODY	DUCTILE IRON
2	CYLINDER	BRONZE
3	PISTON	BRONZE
4	SHAFT	BRONZE
5	SEAT	BRONZE
6	O-RING	NBR
7	SPRING	STAINLESS STEEL
8	U-RING	NBR
9	SEALING	NBR
10	O-RING	NBR
11	PILOT MAIN BODY	STAINLESS STEEL
12	PILOT PLUG	STAINLESS STEEL
13	PILOT SEALING	NBR
14	PILOT SHAFT	STAINLESS STEEL
15	PILOT DIAPHRAGM	EPDM
16	PILOT SPRING	SPRING STEEL
17	PRESSURE GAUGE	STAINLESS STEEL

SIZES		DIMENSIONS (MM)							
Inch	mm	A		B		L		Weight(kg) ANSI 300 JIS20K/PN25	Max. Flow (GPM)
		ANSI 150 JIS10K/PN16	ANSI 300 JIS20K/PN25	ANSI 150 JIS10K/PN16	ANSI 300 JIS20K/PN25	ANSI 150 JIS10K/PN16	ANSI 300 JIS20K/PN25		
		3"	DN 75	211	205	146	152	235	
4"	DN 100	229	220	162	174	255	270	36.5	600
6"	DN 150	269	255	197	208	315	335	65	2000
8"	DN 200	303	295	286	296	430	450	113.5	3200

*Remark : Weight will be different according to type of flange ends.