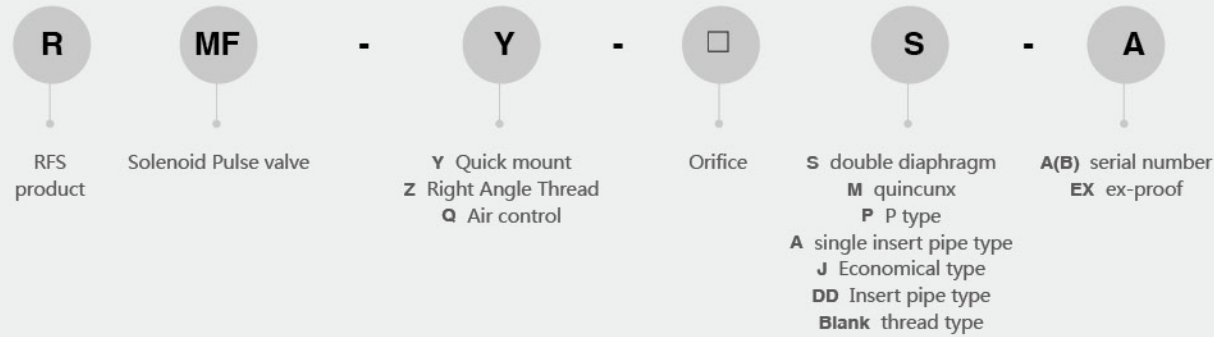


➤ Right Angle Pulse Jet Valve

- Introduction of advanced international technology and make some improvements
- Pulse Valve used for controlling the compressed air of dust remover filter system
- The key components adopt advanced material
- Pneumatic control type, solenoid control type and Ex-proof solenoid control type for optional
- Female thread connection port, it is easy for installing



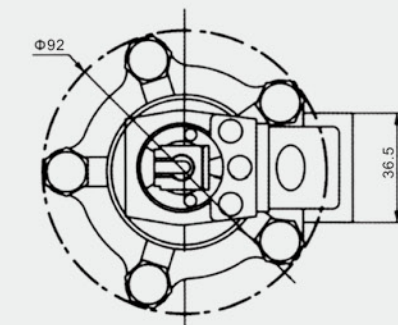
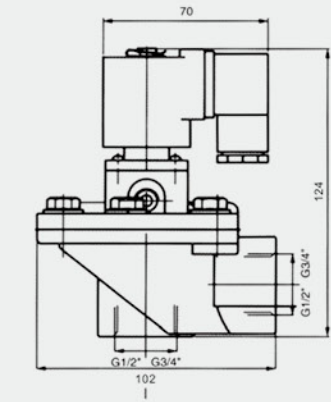
Ordering Code



Parameters

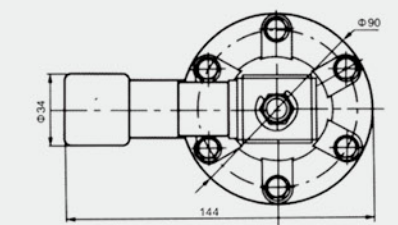
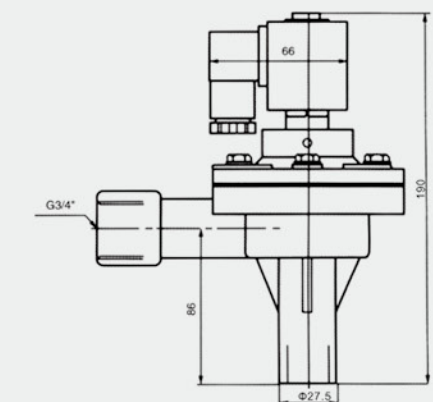
Model	Working pressure	Ambient Temp.	Relative Humidity	Media	Voltage	Power	Diaphragm Life	Orifice	Connection ports
RMF-Z-15M	0.3 ~ 0.8MPa	-5~55° C	< 85%	Clean Air	AC110V AC220V DC24V ±10%	DC20W AC25VA	Over one Million cycles	Φ15mm	G1/2"
RMF-Z-20M								Φ20mm	G3/4"
RMF-Z-20J								Φ20mm	G3/4"
RMF-Z-25J								Φ25mm	G1"
RMF-Z-20A								Φ20mm	G3/4"
RMF-Z-20P								Φ20mm	G3/4"
RMF-Z-25P								Φ25mm	G1"
RMF-Z-20								Φ20mm	G3/4"
RMF-Z-25								Φ25mm	G1
RMF-Z-35P								Φ35mm	G1 ¹ / ₂ "
RMF-Z-40S								Φ40mm	G1 ¹ / ₂ "
RMF-Z-45P								Φ45mm	G1 ¹ / ₂ "
RMF-Z-50S								Φ50mm	G2"
RMF-Z-50S-A								Φ50mm	G2"
RMF-Z-62S								Φ62mm	G2 ¹ / ₂ "
RMF-Z-62S-A								Φ62mm	G2 ¹ / ₂ "
RMF-Z-76S								Φ76mm	G3"
RMF-25DD								Φ25mm	Φ35
RMF-45DD								Φ40mm	Φ50

Right Angle Solenoid Pulse Valve



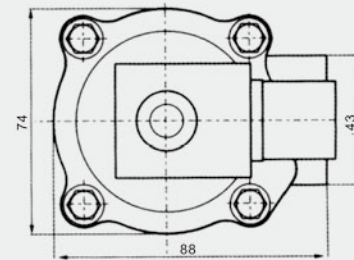
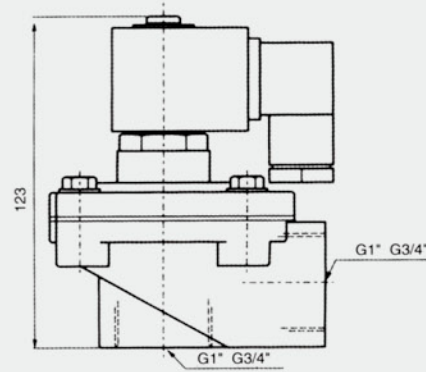
Model	RMF-Z-15M	RMF-Z-20M
Working-pressure	0.3 ~ 0.8MPa	
Ambient Temperature	-5 ~ 55°C	
Relative Humidity	< 85%	
Working Medium	Clean Air	
Voltage	AC110V / AC220V / DC24V	
Diaphragm Life	Over One Million Cycles	
Orifice	φ 15	φ 20
Connection Port	G1/8"	G3/4"

Right Angle Solenoid Pulse Valve



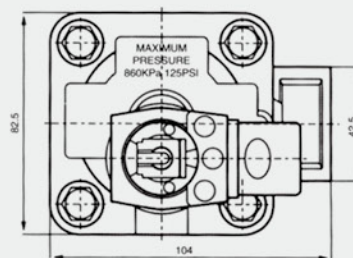
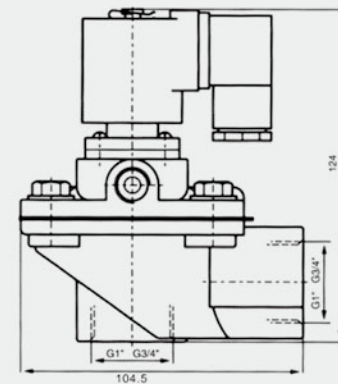
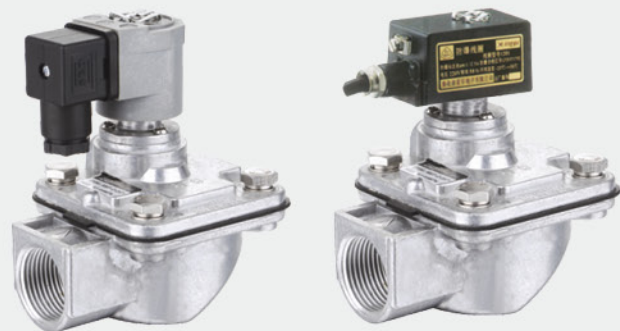
Model	RMF-Z-20A
Working-pressure	0.3 ~ 0.8MPa
Ambient Temperature	-5 ~ 55°C
Relative Humidity	< 85%
Working Medium	Clean Air
Voltage	AC110V / AC220V / DC24V
Diaphragm Life	Over One Million Cycles
Orifice	φ 20
Connection Port	G3/4"

Right Angle Solenoid Pulse Valve



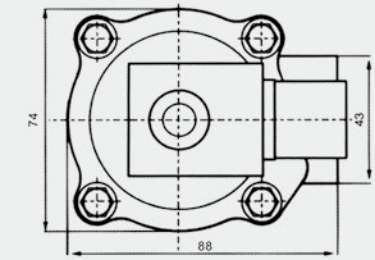
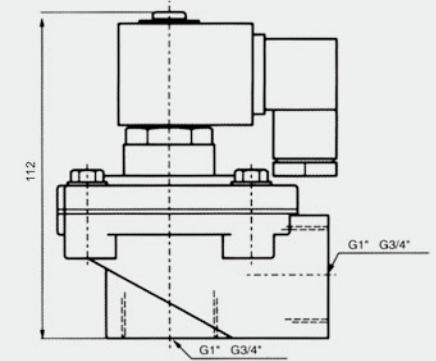
Model	RMF-Z-20J	RMF-Z-25J
Working-pressure	0.3 ~ 0.8MPa	
Ambient Temperature	-5 ~ 55°C	
Relative Humidity	< 85%	
Working Medium	Clean Air	
Voltage	AC110V / AC220V / DC24V	
Diaphragm Life	Over One Million Cycles	
Orifice	φ 20	φ 25
Connection Port	G3/4"	G1"

Right Angle Solenoid Pulse Valve



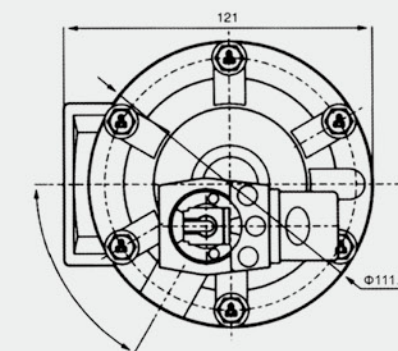
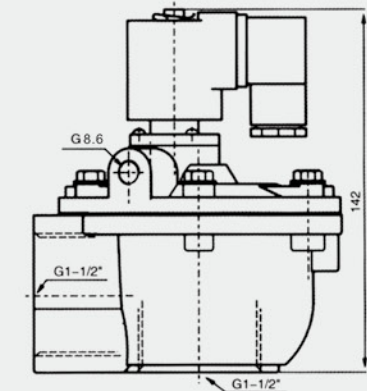
Model	RMF-Z-25P	RMF-Z-20P
Working-pressure	0.3 ~ 0.8MPa	
Ambient Temperature	-5 ~ 55°C	
Relative Humidity	< 85%	
Working Medium	Clean Air	
Voltage	AC110V / AC220V / DC24V	
Diaphragm Life	Over One Million Cycles	
Orifice	φ 25	φ 20
Connection Port	G1"	G3/4"

Right Angle Solenoid Pulse Valve



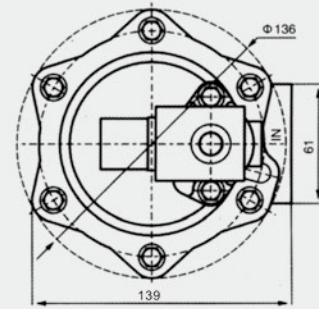
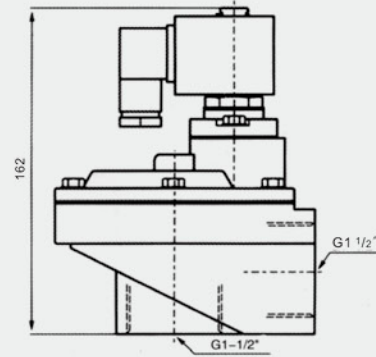
Model	RMF-Z-25	RMF-Z-20
Working-pressure	0.3 ~ 0.8MPa	
Ambient Temperature	-5 ~ 55°C	
Relative Humidity	< 85%	
Working Medium	Clean Air	
Voltage	AC110V / AC220V / DC24V	
Diaphragm Life	Over One Million Cycles	
Orifice	φ 25	φ 20
Connection Port	G1"	G3/4"

Right Angle Solenoid Pulse Valve



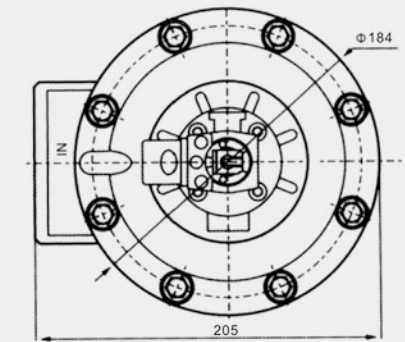
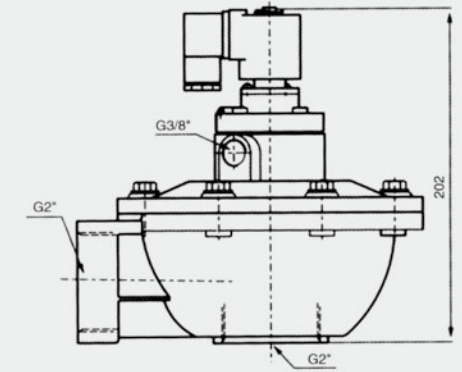
Model	RMF-Z-35P
Working-pressure	0.3 ~ 0.8MPa
Ambient Temperature	-5 ~ 55°C
Relative Humidity	< 85%
Working Medium	Clean Air
Voltage	AC110V / AC220V / DC24V
Diaphragm Life	Over One Million Cycles
Orifice	φ 35
Connection Port	G1-1/2"

Right Angle Solenoid Pulse Valve



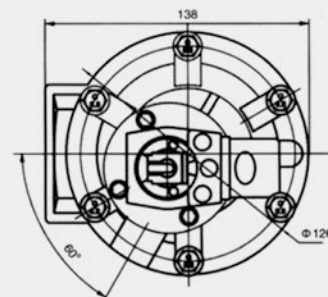
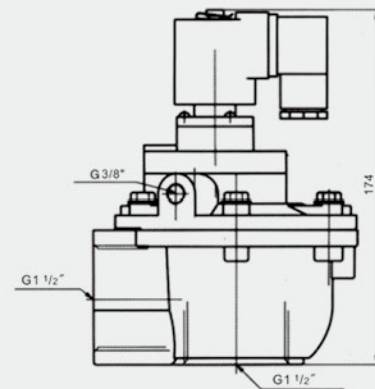
Model	RMF-Z-40S
Working-pressure	0.3 ~ 0.8MPa
Ambient Temperature	-5 ~ 55°C
Relative Humidity	< 85%
Working Medium	Clean Air
Voltage	AC110V / AC220V / DC24V
Diaphragm Life	Over One Million Cycles
Orifice	φ 40
Connection Port	G1 1/2"

Right Angle Solenoid Pulse Valve



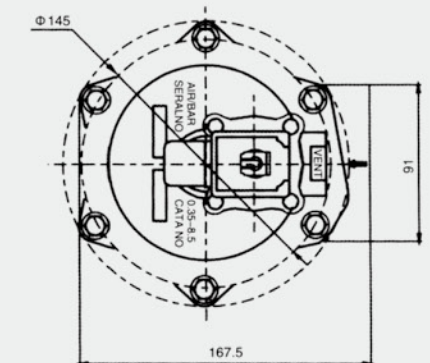
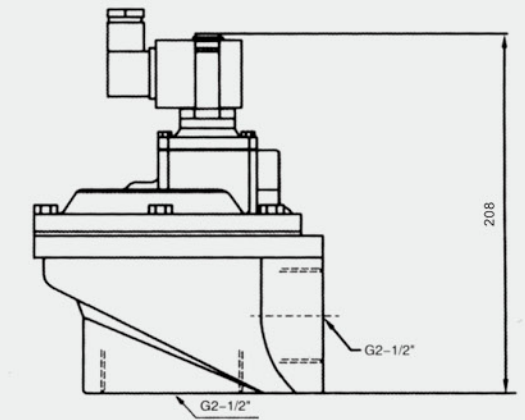
Model	RMF-Z-50S
Working-pressure	0.3 ~ 0.8MPa
Ambient Temperature	-5 ~ 55°C
Relative Humidity	< 85%
Working Medium	Clean Air
Voltage	AC110V / AC220V / DC24V
Diaphragm Life	Over One Million Cycles
Orifice	φ 50
Connection Port	G2"

Right Angle Solenoid Pulse Valve



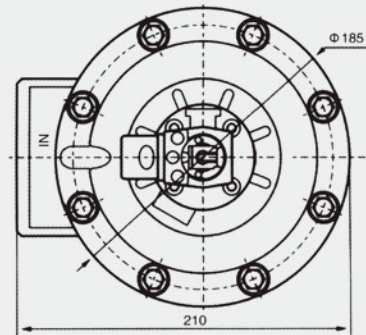
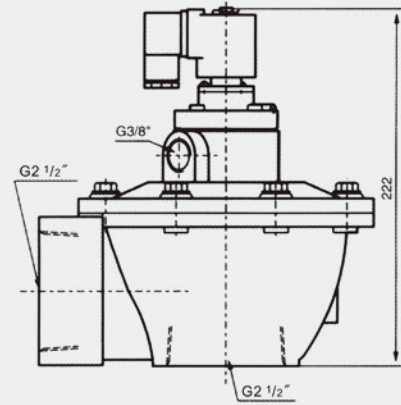
Model	RMF-Z-45P
Working-pressure	0.3 ~ 0.8MPa
Ambient Temperature	-5 ~ 55°C
Relative Humidity	< 85%
Working Medium	Clean Air
Voltage	AC110V / AC220V / DC24V
Diaphragm Life	Over One Million Cycles
Orifice	φ 45
Connection Port	G1 1/2"

Right Angle Solenoid Pulse Valve



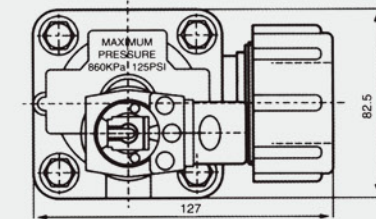
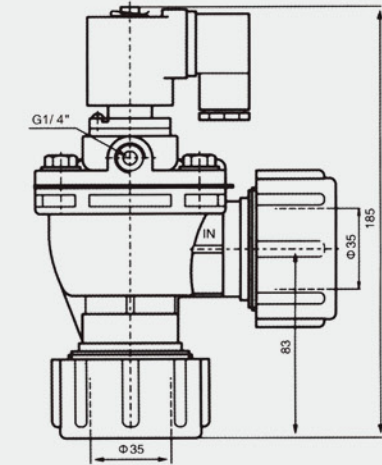
Model	RMF-Z-50S-A	RMF-Z-62S-A
Working-pressure	0.3 ~ 0.8MPa	
Ambient Temperature	-5 ~ 55°C	
Relative Humidity	< 85%	
Working Medium	Clean Air	
Voltage	AC110V / AC220V / DC24V	
Diaphragm Life	Over One Million Cycles	
Orifice	φ 50	φ 62
Connection Port	G2"	G2-1/2"

Right Angle Solenoid Pulse Valve



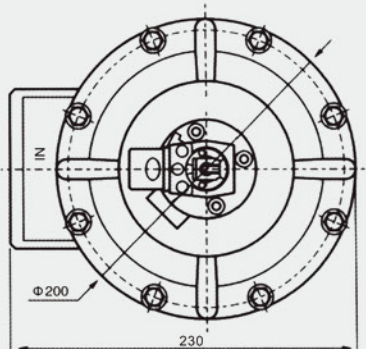
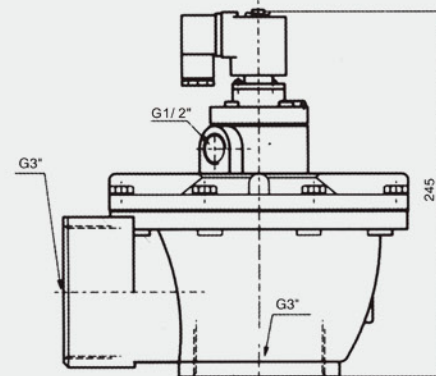
Model	RMF-Z-62S
Working-pressure	0.3 ~ 0.8MPa
Ambient Temperature	-5 ~ 55°C
Relative Humidity	< 85%
Working Medium	Clean Air
Voltage	AC110V / AC220V / DC24V
Diaphragm Life	Over One Million Cycles
Orifice	φ 62
Connection Port	G2-1/2"

Right Angle (DD Type) Solenoid Pulse Valve



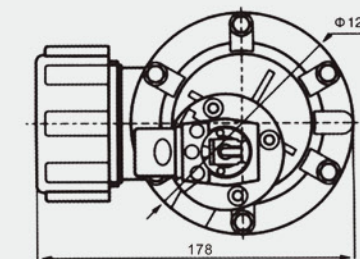
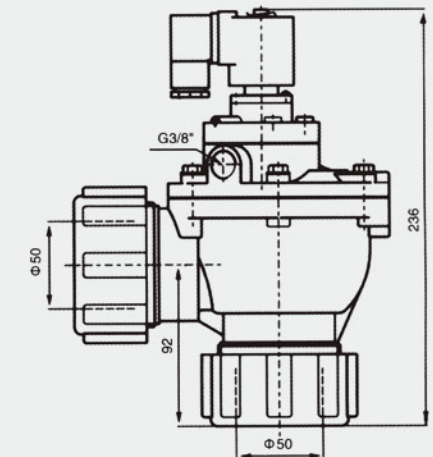
Model	RMF-25DD
Working-pressure	0.3 ~ 0.8MPa
Ambient Temperature	-5 ~ 55°C
Relative Humidity	< 85%
Working Medium	Clean Air
Voltage	AC110V / AC220V / DC24V
Diaphragm Life	Over One Million Cycles
Orifice	φ 25
Connection Port	φ 35

Right Angle Solenoid Pulse Valve



Model	RMF-Z-76S
Working-pressure	0.3 ~ 0.8MPa
Ambient Temperature	-5 ~ 55°C
Relative Humidity	< 85%
Working Medium	Clean Air
Voltage	AC110V / AC220V / DC24V
Diaphragm Life	Over One Million Cycles
Orifice	φ 76
Connection Port	G3"

Right Angle (DD Type) Solenoid Pulse Valve



Model	RMF-45DD
Working-pressure	0.3 ~ 0.8MPa
Ambient Temperature	-5 ~ 55°C
Relative Humidity	< 85%
Working Medium	Clean Air
Voltage	AC110V / AC220V / DC24V
Diaphragm Life	Over One Million Cycles
Orifice	φ 40
Connection Port	φ 50

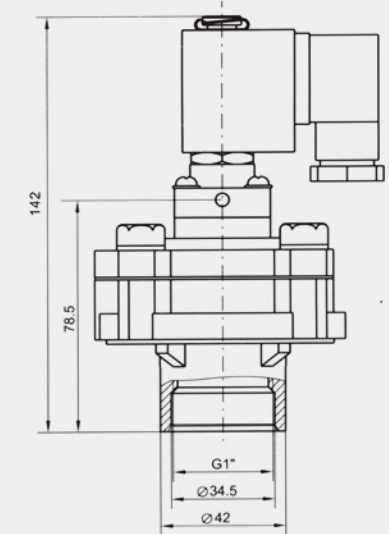
Quick Mount Pulse Solenoid Valve



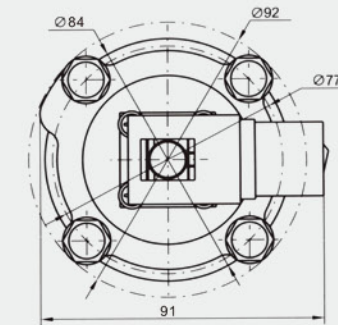
Parameters

Model	Working pressure	Ambient Temp.	Relative Humidity	Media	Voltage	Power	Diaphragm Life	Orifice	Connection ports
RMF-Y-25	0.3 ~ 0.8MPa	-5~55° C	< 85%	Clean Air	AC110V AC220V DC24V ±10%	DC12W/AC15VA	Over one Million cycles	Φ25mm	G1"
RMF-Y-40						Φ45mm		G1 1/2"	
RMF-Y-50S						Φ50mm		Φ62.5mm	
RMF-Y-62S						Φ62mm		Φ76mm	
RMF-Y-76S						Φ76mm		Φ86mm	
RMF-Y-76S-A1						Φ75mm		Φ88mm	
RMF-Y-86S						Φ76mm		Φ90mm	

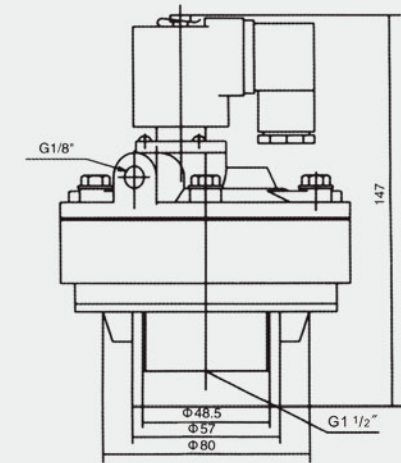
Solenoid Pulse Valve



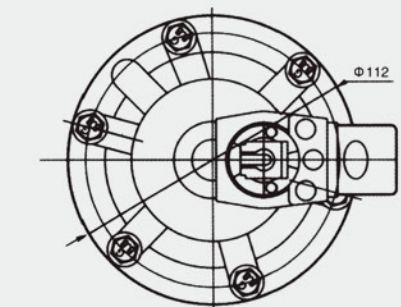
Model	RMF-Y-25
Working-pressure	0.3 ~ 0.8MPa
Ambient Temperature	-5 ~ 55°C
Relative Humidity	< 85%
Working Medium	Clean Air
Voltage	AC110V / AC220V / DC24V
Diaphragm Life	Over One Million Cycles
Orifice	φ 25
Connection Port	φ 42



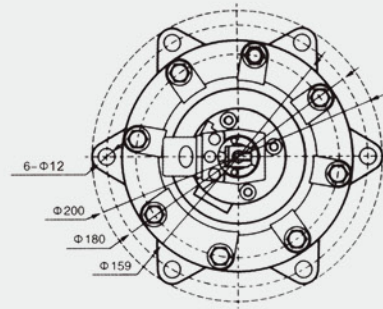
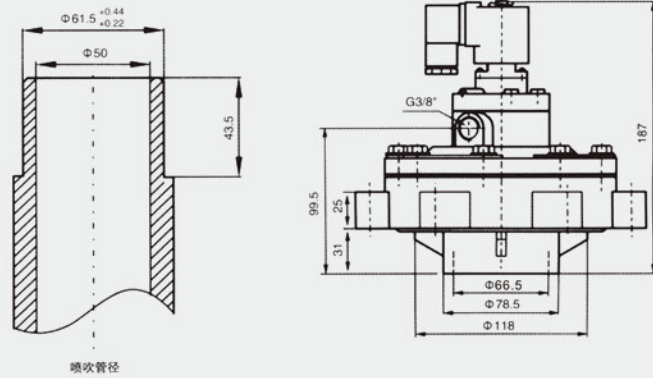
Solenoid Pulse Valve



Model	RMF-Y-40
Working-pressure	0.3 ~ 0.8MPa
Ambient Temperature	-5 ~ 55°C
Relative Humidity	< 85%
Working Medium	Clean Air
Voltage	AC110V / AC220V / DC24V
Diaphragm Life	Over One Million Cycles
Orifice	φ 45
Connection Port	φ 50

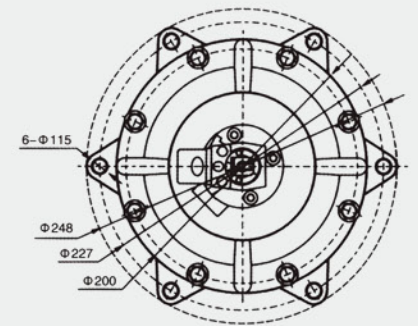
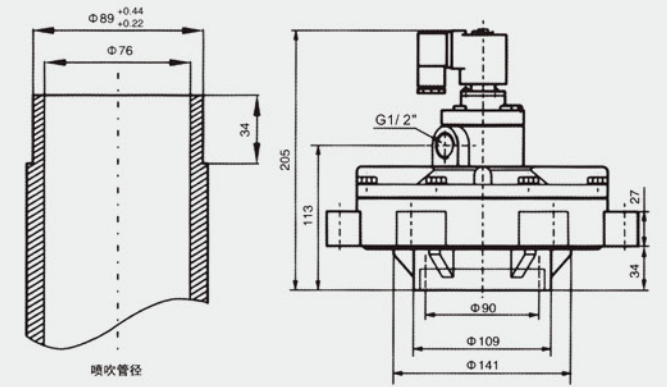


Solenoid Pulse Valve



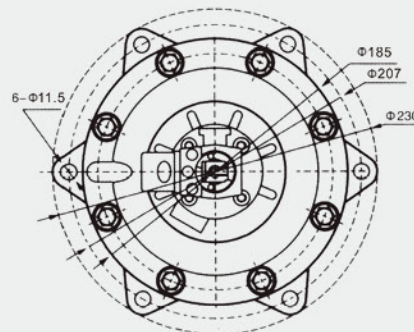
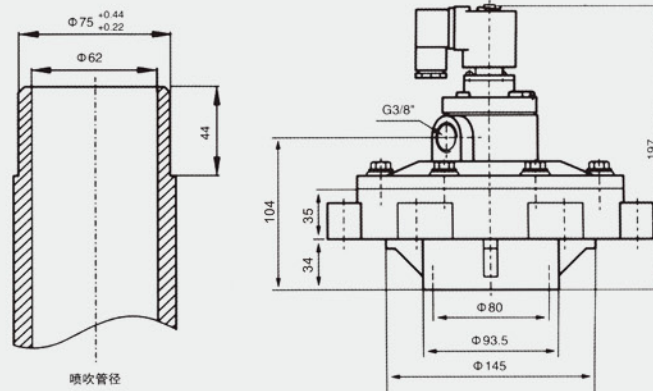
Model	RMF-Y-50S
Working-pressure	0.3 ~ 0.8MPa
Ambient Temperature	-5 ~ 55°C
Relative Humidity	< 85%
Working Medium	Clean Air
Voltage	AC110V / AC220V / DC24V
Diaphragm Life	Over One Million Cycles
Orifice	$\phi 50$
Connection Port	$\phi 65$

Solenoid Pulse Valve



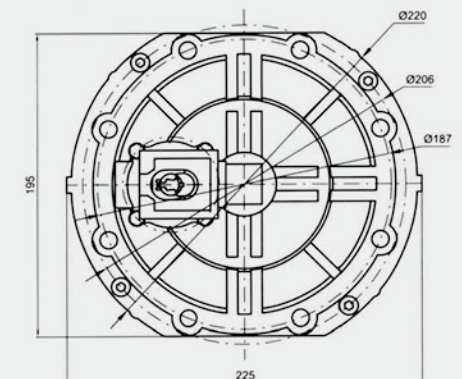
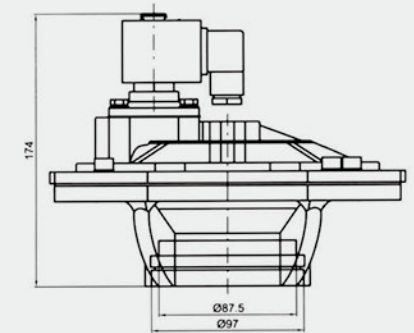
Model	RMF-Y-76S
Working-pressure	0.3 ~ 0.8MPa
Ambient Temperature	-5 ~ 55°C
Relative Humidity	< 85%
Working Medium	Clean Air
Voltage	AC110V / AC220V / DC24V
Diaphragm Life	Over One Million Cycles
Orifice	$\phi 76$
Connection Port	$\phi 90$

Solenoid Pulse Valve



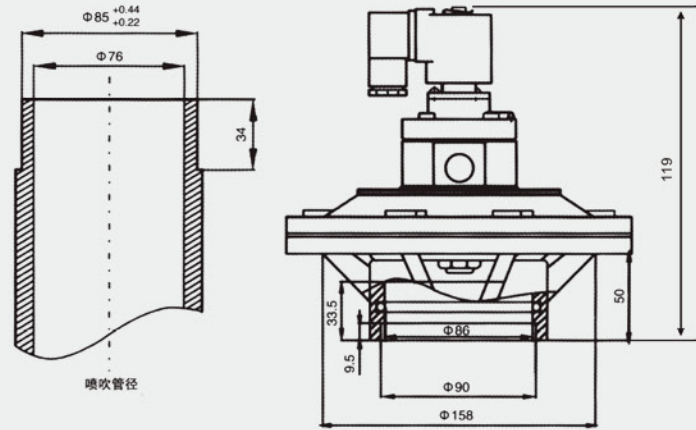
Model	RMF-Y-62S
Working-pressure	0.3 ~ 0.8MPa
Ambient Temperature	-5 ~ 55°C
Relative Humidity	< 85%
Working Medium	Clean Air
Voltage	AC110V / AC220V / DC24V
Diaphragm Life	Over One Million Cycles
Orifice	$\phi 62$
Connection Port	$\phi 80$

Solenoid Pulse Valve

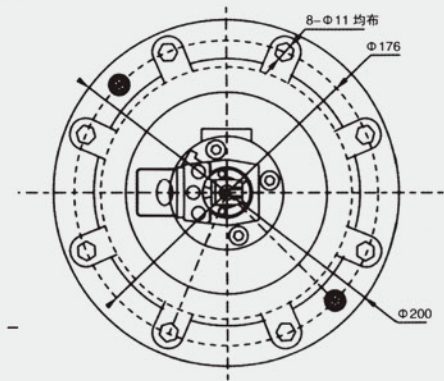


Model	RMF-Y-76S-A1
Working-pressure	0.3 ~ 0.8MPa
Ambient Temperature	-5 ~ 55°C
Relative Humidity	< 85%
Working Medium	Clean Air
Voltage	AC110V / AC220V / DC24V
Diaphragm Life	Over One Million Cycles
Orifice	$\phi 76$
Connection Port	$\phi 89$

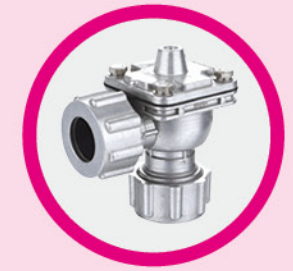
Solenoid Pulse Valve



Model	RMF-Y-86S
Working-pressure	0.3 ~ 0.8MPa
Ambient Temperature	-5 ~ 55°C
Relative Humidity	< 85%
Working Medium	Clean Air
Voltage	AC110V / AC220V / DC24V
Diaphragm Life	Over One Million Cycles
Orifice	$\phi 76$
Connection Port	$\phi 90$



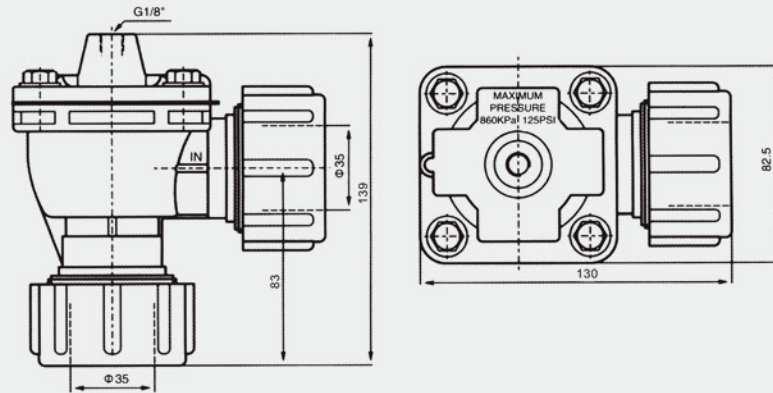
➤ Air Control Pulse Jet Valve



Parameters

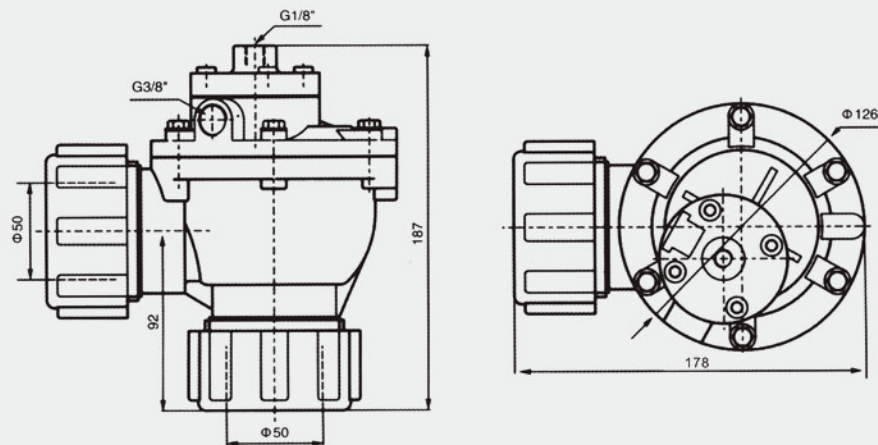
Model	Working pressure	Ambient Temp	Relative Humidity	Media	Diaphragm Life	Orifice	Connection ports
RMF-Q-25DD	0.3 ~ 0.8MPa	-5 ~ 55° C	< 85%	Clean Air	Over one Million cycles	Φ25	Φ35
RMF-Q-45DD						Φ45	Φ50
RMF-Q-20P						Φ20	G3/4"
RMF-Q-25P						Φ25	G1"
RMF-ZQ-45P						Φ45	G1-1/2"
RMF-ZQ-50S						Φ50	G2"
RMF-ZQ-62S						Φ62	G2-1/2"
RMF-ZQ-76S						Φ76	G3"
RMF-YQ-50S						Φ50	Φ62.5
RMF-YQ-62S						Φ62	Φ76
RMF-YQ-76S	Φ76	Φ90					

Right Angle (DD type) Air Control Pulse Valve



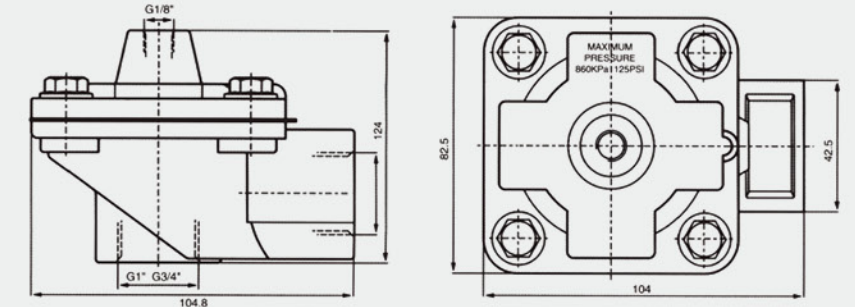
Model	RMF-Q-25DD
Working-pressure	0.3 ~ 0.8MPa
Ambient Temperature	-5 ~ 55°C
Relative Humidity	< 85%
Working Medium	Clean Air
Voltage	AC110V / AC220V / DC24V
Diaphragm Life	Over One Million Cycles
Orifice	φ 25
Connection Port	φ 35

Right Angle (DD type) Air Control Pulse Valve



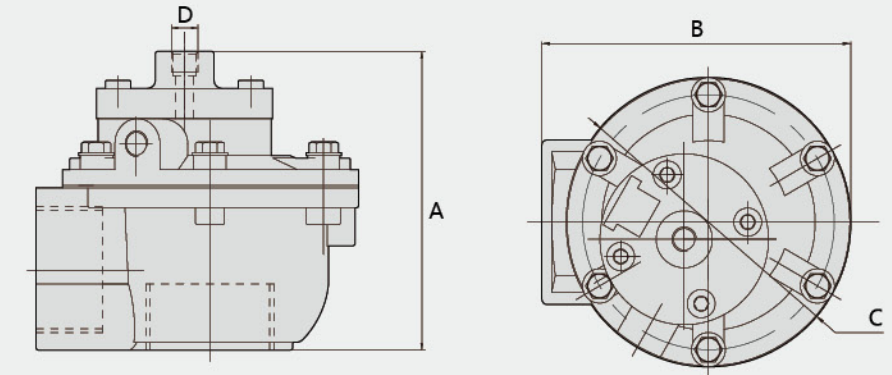
Model	RMF-Q-45DD
Working-pressure	0.3 ~ 0.8MPa
Ambient Temperature	-5 ~ 55°C
Relative Humidity	< 85%
Working Medium	Clean Air
Voltage	AC110V / AC220V / DC24V
Diaphragm Life	Over One Million Cycles
Orifice	φ 45
Connection Port	φ 50

Right Angle Air Control Pulse Valve



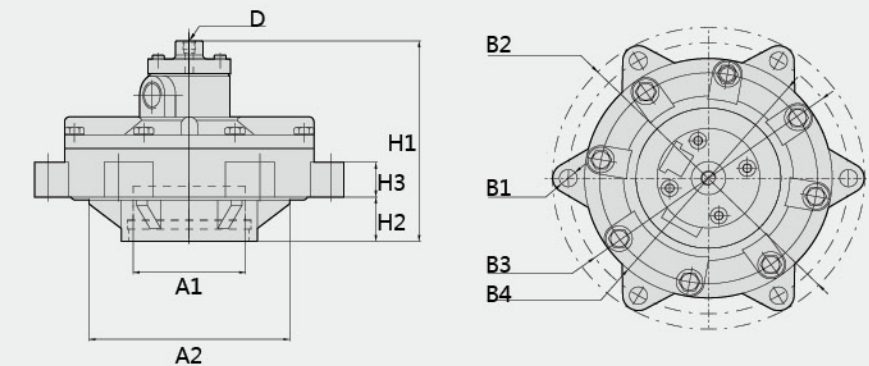
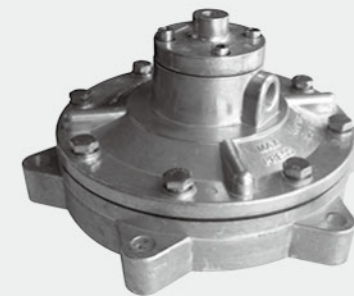
Model	RMF-Q-25P	RMF-Q-20P
Working-pressure	0.3 ~ 0.8MPa	
Ambient Temperature	-5 ~ 55°C	
Relative Humidity	< 85%	
Working Medium	Clean Air	
Voltage	AC110V / AC220V / DC24V	
Diaphragm Life	Over One Million Cycles	
Orifice	φ 25	φ 20
Connection Port	G1"	G3/4"

Right Angle Air Control Pulse Valve



Model	A	B	C	D
RMF-ZQ-45P	125	138	Φ126	G1/8"
RMF-ZQ-50s	153	205	Φ184	G1/8"
RMF-ZQ-62s	173	210	Φ185	G1/8"
RMF-ZQ-76s	195	230	Φ200	G1/8"

In Line Gas control Pulse valve



Model	A1	A2	B1	B2	B3	B4	H1	H2	H3	D
RMF-YQ-50S	Φ62.5	Φ118	6-Φ12	Φ200	Φ180	Φ159	138	30.5	34.5	G1/8"
RMF-YQ-62S	Φ76	Φ143.5	6-Φ11.5	Φ230	Φ207	Φ185	148	34	35	
RMF-YQ-76S	Φ90	Φ141	6-Φ12	Φ248	Φ277	Φ200	156	34.5	27	

➤ Explosion-proof Pulse Jet Valve

- Ex class: ExmI/II T4
- Using our own Explosion-proof coil, All the solenoid pulse valves can be changed into Ex-proof style
- Voltage & wire length can be made as your request
- When you order Ex-proof solenoid valve, Add "Ex" after model



Parameters

Model	Working pressure	Ambient Temp.	Relative Humidity	Media	Voltage	Power	Orifice	Connection ports
RMF-25DD-EX	0.3 ~ 0.8MPa	-5~55° C	< 85%	Clean Air	AC110V AC220V DC24V DC12V ±10%	DC15W	Φ25mm	Φ31mm
RMF-45DD-EX						AC13VA	Φ40mm	Φ50mm
RMF-Z-25J-EX						DC11W	Φ25mm	G1"
RMF-Z-20J-EX						AC13VA	Φ20mm	G3/4"
RMF-Z-20M-EX						DC15W	Φ20mm	G3/4"
RMF-Z-15M-EX						AC13VA	Φ15mm	G1/2"
RMF-Z-20A-EX						DC11W/AC13VA	Φ20mm	G3/4"
RMF-Z-20P-EX						DC15W	Φ20mm	G3/4"
RMF-Z-25P-EX						AC13VA	Φ25mm	G1"
RMF-Z-35P-EX						DC13W/AC23VA	Φ40mm	G1 1/2"
RMF-Z-40S-EX						DC15W/AC13VA	Φ45mm	G1 1/2"
RMF-Z-45P-EX							Φ50mm	G2"
RMF-Z-50S-EX							Φ62mm	G2 1/2"
RMF-Z-62S-EX						DC13W/AC23VA	Φ76mm	G3"
RMF-Z-76S-EX							Φ45mm	G1 1/2"
RMF-Y-40S-EX						DC15W AC13VA	Φ50mm	Φ62.5mm
RMF-Y-50S-EX							Φ62mm	Φ76mm
RMF-Y-62S-EX							Φ76mm	Φ90mm
RMF-Y-76S-EX								



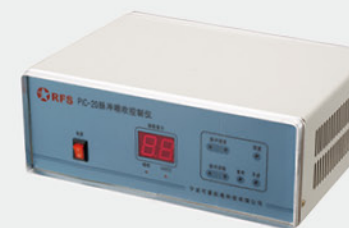
➤ Pulse signal controller & parts

Sequential controller is main control part of bag filter system. It controls the on/off of pulse solenoid valves sequentially, so circularly the air runs in the bag and shakes off the dust which adsorbs on bag surface, make the bag keep clean and sufficient air permeability.



Pulse signal controller

PIC-20X Pulse signal controller



The PIC-20X controller is made from PC coated aluminum alloy. It has microprocessor, can adjust the width as per different clean request. Its output signal directly controls the solenoid valves. The controller is stable and easy to use. Can be installed in the control room or on the dust collector machinery directly.

Input voltage	AC220V±10%50Hz/60Hz
Output voltage	DC24V AC110V AC220V
Output current	1A
Interval Range	1~99S
Adjustable Length Range	0.03~0.3S 0.09~0.9S
Output lines	4~20 Lines
Volume	280×220×110mm

PIC-64 Pulse signal controller



The controller is controlled by microprocessor. It can adjust the pulse interval and width as the requirement of the dust remover.

Model	PIC-64		
Input voltage	AC220V±10%50Hz/60Hz	AC110V±10%50Hz/60Hz	
Output voltage	DC24V	AC110V	AC220V
Output current	1A		
Power consumption	≤ 15VA		
Interval time range	1~250S		
On time range	30~2500ms		
Output lines no	1-64 Lines		
Working environment	Temp : -40°C ~ 50°C	humidity : ≤ 85%	no strong corrosive fluid and no conductive dust no strenuous vibration and shock
Install method	separately or within the control box		
Weight	1.4kg (different according to different lines)		
Dimension	200×170×75mm		164×154×84mm

RMY-8 Pulse signal controller



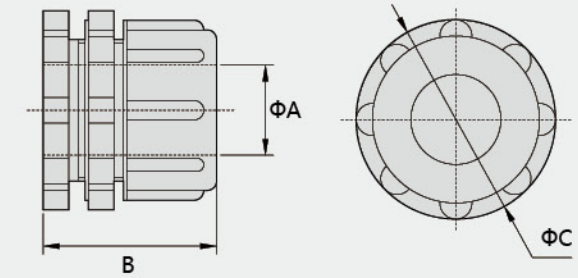
Will not damage the small volume, light weight, transport and use process.
 Automatic switching power supply for AC110V-AC220V.
 Input AC110V-AC220V, output AC110V-AC220V, DC24V.
 With lifting valve function and without lifting valve function.
 Double short circuit protection, safe use.
 The number of outputs of 1-8 options.
 With soft switch (close the program preset cycles, after the completion of the system).
 Waterproof and dustproof.
 Blow lamp is easy to view state way spray.
 With no signal sleep function.

RMY-64 Pulse signal controller



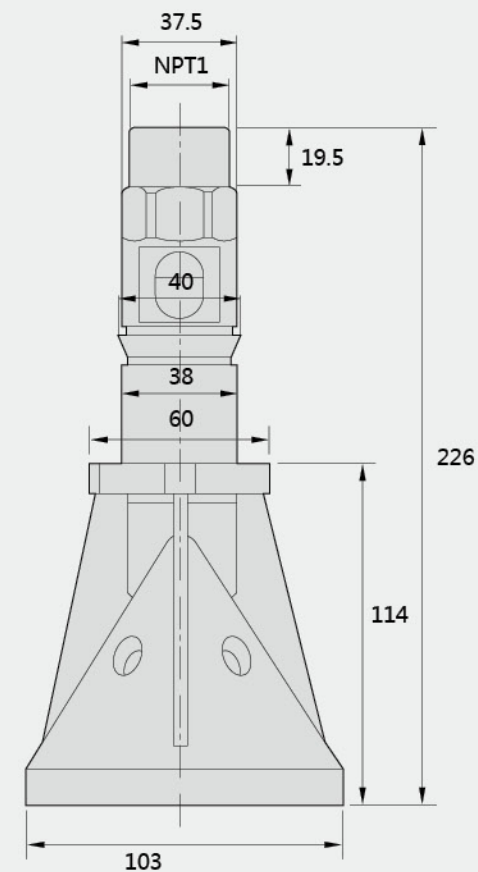
Model	RMY-64
Input voltage	AC110V AC220V ±10% 50Hz
Output voltage	DC24V AC110V AC220V
Output current	1A
Interval time range	1 ~ 120S
On time range	30 ~ 406ms
Output lines no	2 ~ 64Lines
Working environment	Temperature:-40°C ~-80°C Humidity: ≤ 85%No enormous shake& shock
Install method	Install on dust catcher or contol box
Weight	1.1kg (different according to different lines)
Dimension	200×170×75mm

RB CONNECTION



Overall dimension				
Model	symbol	A	B	C
RB-25		35	67.5	77.5
RB-40		50	92.5	92

Plastic Venturi Tube



Diaphragm

Diaphragm is the one of the most important components in pulse valve, our diaphragm is made from import material.
 It has good antifatigue, ageing resistance etc. We offer better quality than others in this field. We also offer special diaphragms as per customer's request.

